

Brilliant Imaging.

The Image Spot UV LED projector is the ideal fixture for creating textured UV illumination in theme park attractions and hospitality venues.

The UV emitters inside the fixture's IP65 housing ensure bright imaging in virtually any fluorescent environment. Using a mere 45W of power, the Image Spot packs an amazing 9,000 mW of ultra-violet output from a versatile and compact design. The fixture's powerful output, combined with its crystal clear optics, provides designers with fluorescent illumination from up to 40 ft. (12m) away!

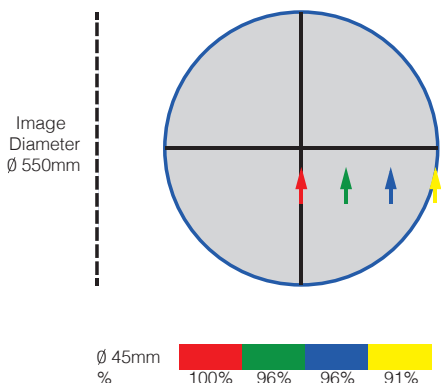
An included dichroic filter inhibits all visible wavelength emissions from the projector to provide optimal 365nm output.



KEY FEATURES

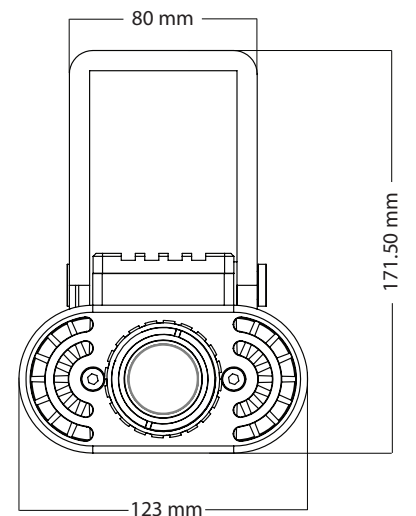
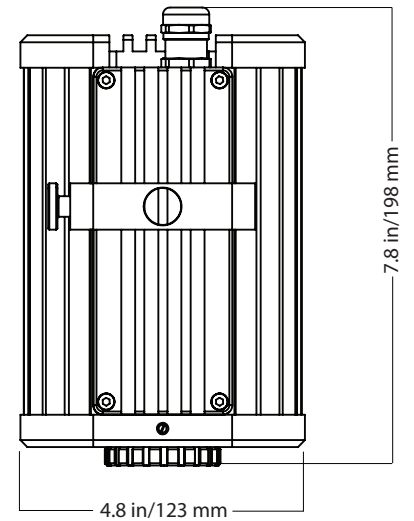
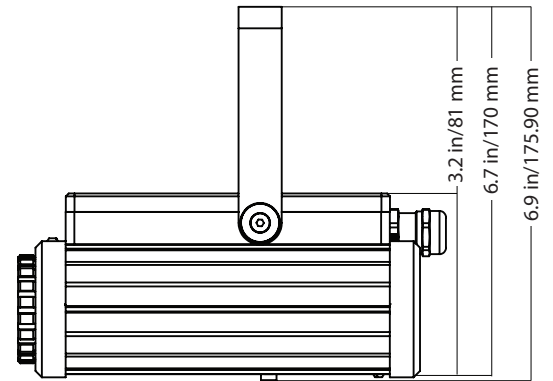
- Powerful, 40W LED array coupled with crystal clear beam optics provide long throw capabilities and superb field uniformity
- IP65 rating enables use indoors and outdoors
- Included dichroic glass, UV-Pass filter inhibits visible light output to provide optimal 365nm output.
- Accepts Steel or B&W Glass gobos to create a wide variety of illuminated fluorescent textures, patterns and effects
- Accepts universal line voltage input allowing operation anywhere around the globe
- On board dimming control
- DMX512 compatibility provides flicker-free dimming throughout the range: 100% ~ 0%
- Passive cooling for completely silent operation

Superior Uniformity Across Entire Field



SPECIFICATIONS

| | |
|------------------------|--|
| Input Voltage: | 100-240VAC |
| Power Consumption: | 45 Watts at maximum output |
| Output: | 9,000 mW |
| Peak Wavelength: | LED Emitters (without dichroic): 385 nm With included dichroic UV Pass filter: 365 nm |
| Lumen Maintenance: | 20,000 hours at 25°C (LM-79-08) |
| Power Connection: | 6.5 ft (2m) insulated cable, unterminated (connector not included) |
| Data: | DMX512 In/Out via a factory-installed, 2m, exterior-rated Cat5e Cable/Gland |
| DMX Addressing: | USB to RS485 Programming Cable (IP65) Rosco Programming Software: www.rosco.com/imagespot/software |
| Dimensions: | 7.8 in x 4.8 in x 6.8 in (198mm x 123mm x 172mm) (including yoke) |
| Weight: | 5.5 lbs (2.5 kg) |
| Operating Temperature: | -13° to 104° F (-25° to 40° C) |
| Humidity: | 0 - 95% non-condensing |
| Housing: | Anodized Aluminum Extrusion |
| Approvals: | ETL / UL Standards #62368-1 and #60950-22 cETL / CSA C22.2 #62368-1 and #6095-22 IP65 Rated (outdoor use) |



| Image Spot® UV, with DMX | |
|--------------------------|---|
| Item Code | Description |
| 296 00002 1657 | Image Spot UV - IP65 w/DMX - w/o Lens - Black |

| Image Spot® Lens Optics | |
|-------------------------|--|
| Item Code | Description |
| 296 00001 0019 | Image Spot Narrow Angle Lens Optic/19° - Black |
| 296 00001 0025 | Image Spot Medium Angle Lens Optic/25° - Black |
| 296 00001 0030 | Image Spot Wide Angle Lens Optic/30° - Black |

| Image Spot® UV Accessories | |
|----------------------------|---|
| Item Code | Description |
| 296 00001 0052 | Image Spot Lens Cover Kit |
| 296 00001 0011 | Image Spot USB to RS485 Programming Cable |
| 296 00001 0012 | Image Spot Safety Cable, 3ft (1m) |
| 296 00000 5001 | Rosco Pole Mount Accessory - Black |
| 296 00000 5002 | Rosco Pole Mount Accessory - White |
| 296 00000 5003 | 24" Stainless Steel Strap Rosco Pole Mount Kit - 3-Pack |
| 296 00000 5004 | Rosco Wall Mount Accessory - Black |
| 296 00000 5005 | Rosco Wall Mount Accessory - White |

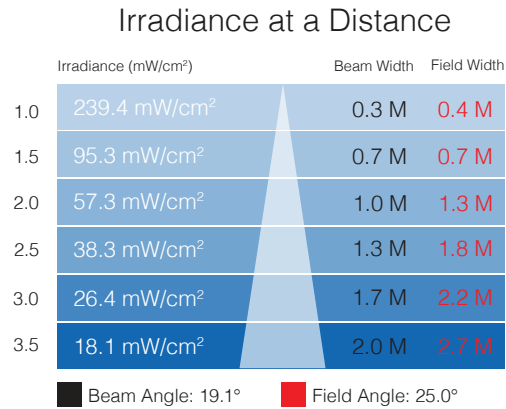
Image Spot Gobos

For optimum image quality and performance, use Rosco Image Spot Gobos that feature custom bezels ensuring a secure fit inside the Image Spot UV gobo cassette.

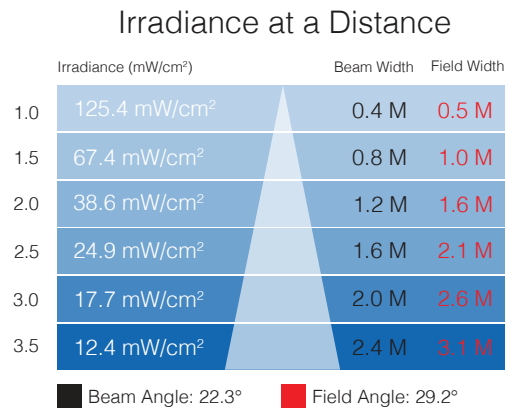
(Note: The Image Spot UV ships with a dichroic glass, UV-Pass filter already inserted into the gobo cassette. There is room for one gobo in addition to the filter inside the cassette.)

| Image Spot® Gobos | |
|-----------------------|---|
| Item Code | Description |
| <i>Standard Gobos</i> | |
| XXXXX-SPOT | Image Spot Standard Gobo XXXXX = The five digit standard gobo number |
| <i>Custom Gobos</i> | |
| 250 7210I SPOT | Image Spot Custom Steel Gobo |
| 260 CUSBW OSPO | Image Spot Custom B&W Glass Gobo |

PHOTOMETRIC DATA FOR NARROW BEAM LENS



PHOTOMETRIC DATA FOR MEDIUM BEAM LENS



PHOTOMETRIC DATA FOR WIDE BEAM LENS

